

Stamping Elegance

Stamping, Card Making and Paper Craft Creations

Exclusive PDF | Exclusive PDF | Exclusive PDF | Exclusive PDF | Exclusive PDF

Double Pocket Fun Fold Card

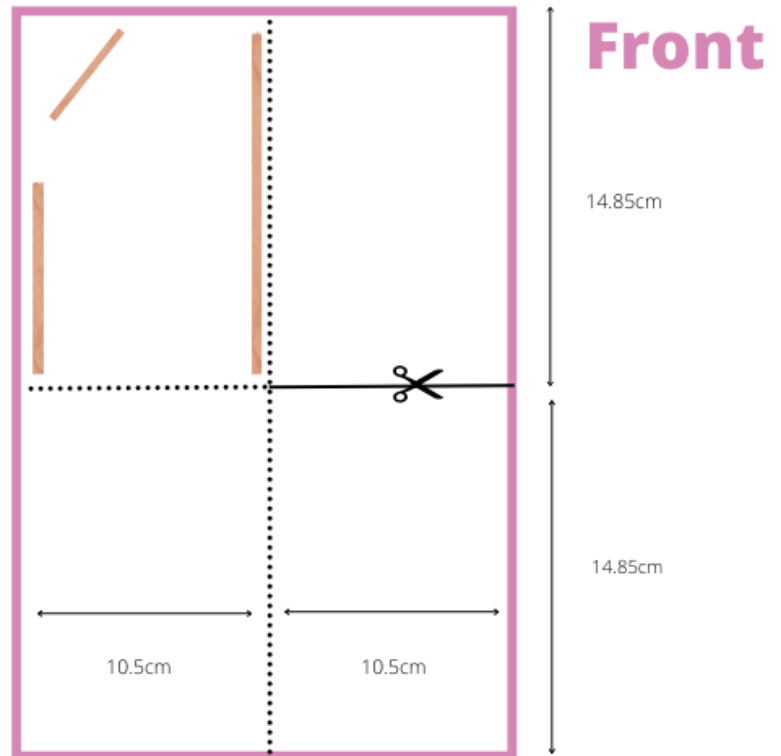
Cut DSP to the size of your standard sheet of card stock (A4 or Letter).

Score in half, along the width and length of your card.

*all measurements on my template are metric, but you are essentially scoring your sheet into quarters.

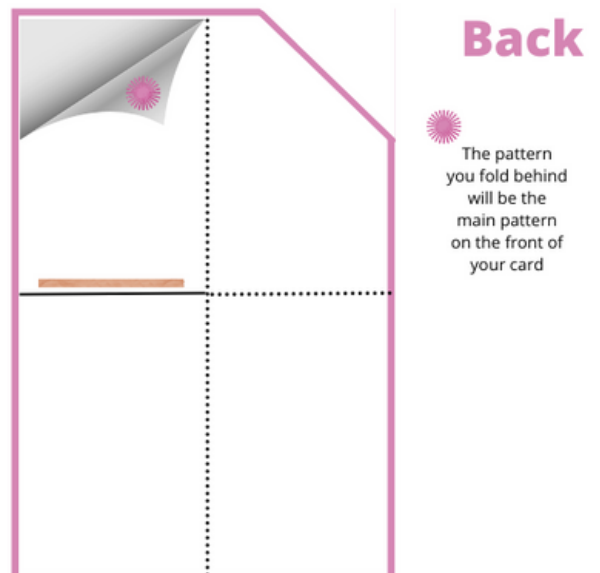
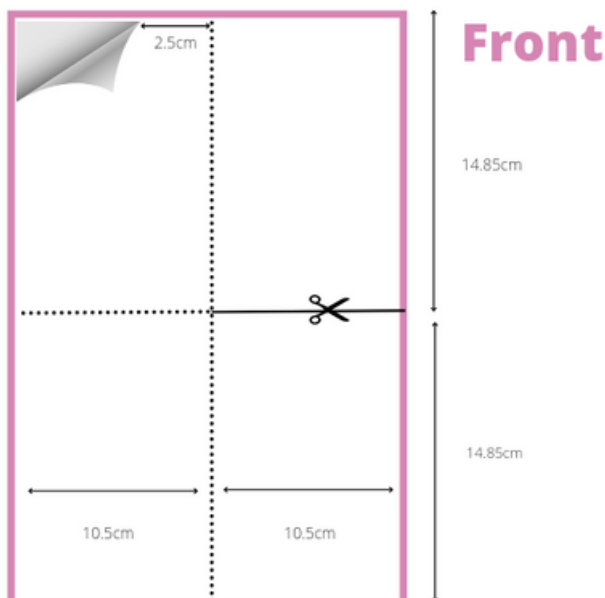
Cut along the middle score line (on the right half of the sheet only).

Fold and burnish all score lines with your bone folder. Add Tear & Tape Adhesive where indicated.



At the top left corner, fold down at the 2.5cm mark (1") keeping the fold parallel to the middle score line.

Flip your card stock over and fold down from the left corner to meet the middle score line. Add Tear & Tape Adhesive.



The pattern you fold behind will be the main pattern on the front of your card

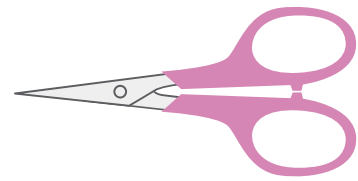
Stamping Elegance

Stamping, Card Making and Paper Craft Creations

Exclusive PDF | Exclusive PDF | Exclusive PDF | Exclusive PDF | Exclusive PDF

Double Pocket Fun Fold Card

Supply List



< 1 of 7 >

157896
**HEY SPORTS FAN-SUITE
 COLLECTION (ENGLISH)**
\$118.00



< 1 of 2 >

155576
**EVENING EVERGREEN CLASSIC
 STAMPIN' PAD**



< 1 of 2 >

153116
**BUMBLEBEE CLASSIC STAMPIN'
 PAD**
\$13.00



< 1 of 1 >

152392
PAPER TRIMMER
\$44.00



< 1 of 4 >

150673
**MINI STAMPIN' CUT & EMBOSS
 MACHINE**
SALE \$83.00 ~~\$104.00~~



< 1 of 1 >

106550
VERY VANILLA A4 CARDSTOCK
\$17.00



< 1 of 2 >

144107
TAKE YOUR PICK
\$17.00



< 1 of 1 >

154031
TEAR & TAPE ADHESIVE
\$12.25



< 1 of 1 >

103579
PAPER SNIPS SCISSORS
\$17.00



< 1 of 1 >

106589
VERY VANILLA C6 ENVELOPES
\$13.00